

LINK UP GATEWAYS SERIES

LINK UP 0-5V

OPERATING INSTRUCTIONS
rev. AB



EN

DE

IT

FR

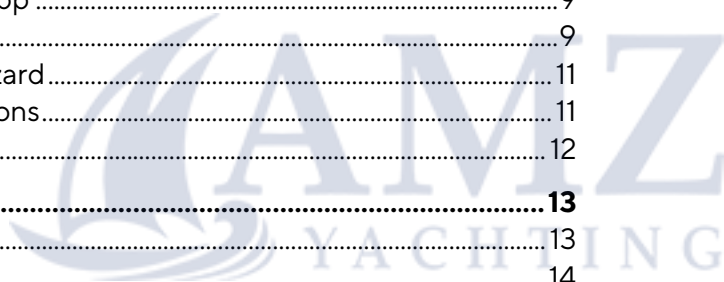
ES

PT



CONTENT

INTRODUCTION	3
Packaging Content	3
The LinkUp Gateway Concept	3
Design and Function	3
SAFETY INFORMATION	4
Safety during Installation.....	4
Safety after Installation.....	5
Electrical Connection	5
SYSTEM INSTALLATION	6
Before the Assembly	6
Pinout	7
Connecting a Sensor	7
Connect to the NMEA 2000® Network.....	8
List of Supported Sensors	8
CONFIGURATION.....	9
LinkUp Configurator App	9
Sensor Configuration	9
Trim Configuration Wizard.....	11
Supported Configurations.....	11
LED Notifications	12
TECHNICAL DATA.....	13
Datasheet.....	13
Dimensions.....	14
Supported NMEA 2000® PGNs.....	14



INTRODUCTION

PACKAGING CONTENT

1x	LinkUp Gateway - 0-5V	B000592
1x	Veratron Card	B000101
1x	Safety Manual	B000100

THE LINKUP GATEWAY CONCEPT

The voltage-type LinkUp gateway provides an easy method to convert vessel and engine information to NMEA 2000®.

Compatible sensors are for example, but not only, liquid levels, trim tabs, rudder angle, temperature, or pressure senders.

Easily installed, the LinkUp gateway replaces the original wiring, delivering power to both the LinkUp device and the sensor from the NMEA 2000® backbone while still being compliant with the NMEA 2000® certification requirements.

The data are then available for being displayed on any VMH, OceanLink, AcquaLink, or more in general on any glass cockpit NMEA 2000® display device.

Configuring LinkUp gateways is simple using a mobile device and the companion Link Up Configurator App for Android or iOS.

Each device has a built-in passive NFC antenna. Therefore, the parameters of the sensor (type, instance and warning threshold) can be configured on the mobile phone which is then "tapped" against the LinkUp device for instant data download.

DESIGN AND FUNCTION

The LinkUp gateway has a simple yet effective design. The potted housing and contactless programming interface allow the unit to be installed in engine rooms, making it compliant to the ISO 8846:1990 as requested by the directive 2013-53(EC).

The standard NMEA 2000® M12 plug allows for a plug-and-play installation to the network backbone.

The gateway provides an AMP SuperSeal plug to easily make a waterproof connection to the sensor. If the sensor doesn't have the required counterpart connector, the wires are easy accessible to attach any type of interface.

SAFETY INFORMATION

WARNING

- No smoking! No open fire or heat sources!
- The product was developed, manufactured, and inspected according to the basic safety requirements of EC Guidelines and state-of-the-art technology.
- The instrument is designed for use in grounded vehicles and machines as well as in pleasure boats, including non-classified commercial shipping.
- Use our product only as intended. Use of the product for reasons other than its intended use may lead to personal injury, property damage or environmental damage. Before installation, check the vehicle documentation for vehicle type and any possible special features!
- Use the assembly plan to learn the location of the fuel/hydraulic/compressed air and electrical lines!
- Note possible modifications to the vehicle, which must be considered during installation!
- To prevent personal injury, property damage or environmental damage, basic knowledge of motor vehicle/shipbuilding electronics and mechanics is required.
- Make sure that the engine cannot start unintentionally during installation!
- Modifications or manipulations to Veratron products can affect safety. Consequently, you may not modify or manipulate the product!
- When removing/installing seats, covers, etc., ensure that lines are not damaged and plug-in connections are not loosened!
- Note all data from other installed instruments with volatile electronic memories.

SAFETY DURING INSTALLATION

- During installation, ensure that the product's components do not affect or limit vehicle functions. Avoid damaging these components!
- Only install undamaged parts in a vehicle!
- During installation, ensure that the product does not impair the field of vision and that it cannot impact the driver's or passenger's head!
- A specialized technician should install the product. If you install the product yourself, wear appropriate work clothing. Do not wear loose clothing, as it may get caught in moving parts. Protect long hair with a hair net.
- When working on the on-board electronics, do not wear metallic or conductive jewelry such as necklaces, bracelets, rings, etc.
- If work on a running engine is required, exercise extreme caution. Wear only appropriate work clothing as you are at risk of personal injury, resulting from being crushed or burned.
- Before beginning, disconnect the negative terminal on the battery, otherwise you risk a short circuit. If the vehicle is supplied by auxiliary batteries, you must also disconnect the negative terminals on these batteries! Short circuits can cause fires, battery explosions and damages to other electronic systems. Please note that when you disconnect the battery, all volatile electronic memories lose their input values and must be reprogrammed.
- If working on gasoline boat motors, let the motor compartment fan run before beginning work.
- Pay attention to how lines and cable harnesses are laid so that you do not drill or saw through them!
- Do not install the product in the mechanical and electrical airbag area!
- Do not drill holes or ports in load-bearing or stabilizing stays or tie bars!
- When working underneath the vehicle, secure it according to the specifications from the vehicle manufacturer.
- Note the necessary clearance behind the drill hole or port at the installation location. Required mounting depth: 65 mm.

SAFETY INFORMATION

- Drill small ports; enlarge and complete them, if necessary, using taper milling tools, saber saws, keyhole saws or files. Deburr edges. Follow the safety instructions of the tool manufacturer.
- Use only insulated tools if work is necessary on live parts.
- Use only the multimeter or diode test lamps provided, to measure voltages and currents in the vehicle/machine or boat. Use of conventional test lamps can cause damage to control units or other electronic systems.
- The electrical indicator outputs and cables connected to them must be protected from direct contact and damage. The cables in use must have enough insulation and electric strength and the contact points must be safe from touch.
- Use appropriate measures to also protect the electrically conductive parts on the connected consumer from direct contact. Laying metallic, uninsulated cables and contacts is prohibited.

SAFETY AFTER INSTALLATION

- Connect the ground cable tightly to the negative terminal of the battery.
- Reenter/reprogram the volatile electronic memory values.
- Check all functions.
- Use only clean water to clean the components. Note the Ingress Protection (IP) ratings (IEC 60529).

ELECTRICAL CONNECTION

- Note cable cross-sectional area!
- Reducing the cable cross-sectional area leads to higher current density, which can cause the cable cross-sectional area in question to heat up!
- When installing electrical cables, use the provided cable ducts and harnesses; however, do not run cables parallel to ignition cables or to cables that lead to large electricity consumers.
- Fasten cables with cable ties or adhesive tape. Do not run cables over moving parts. Do not attach cables to the steering column!
- Ensure that cables are not subject to tensile, compressive, or shearing forces.
- If cables are run through drill holes, protect them using rubber sleeves or the like.
- Use only one cable stripper to strip the cable. Adjust the stripper so that stranded wires are not damaged or separated.
- Use only a soft soldering process or commercially available crimp connector to solder new cable connections!
- Make crimp connections with cable crimping pliers only. Follow the safety instructions of the tool manufacturer.
- Insulate exposed stranded wires to prevent short circuits.
- Caution: Risk of short circuit if junctions are faulty or cables are damaged.
- Short circuits in the vehicle network can cause fires, battery explosions and damages to other electronic systems. Consequently, all power supply cable connections must be provided with weldable connectors and be sufficiently insulated.
- Ensure ground connections are sound.
- Faulty connections can cause short circuits. Only connect cables according to the electrical wiring diagram.
- If operating the instrument on power supply units, note that the power supply unit must be stabilized and it must comply with the following standard: DIN EN 61000, Parts 6-1 to 6-4.

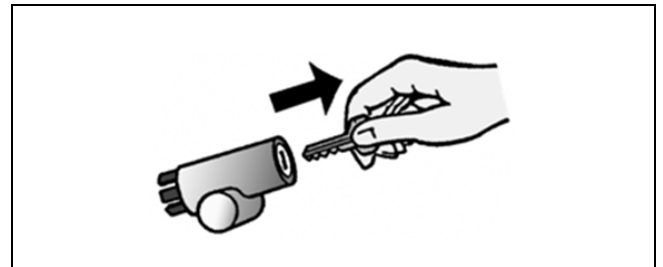
SYSTEM INSTALLATION

⚠ WARNING

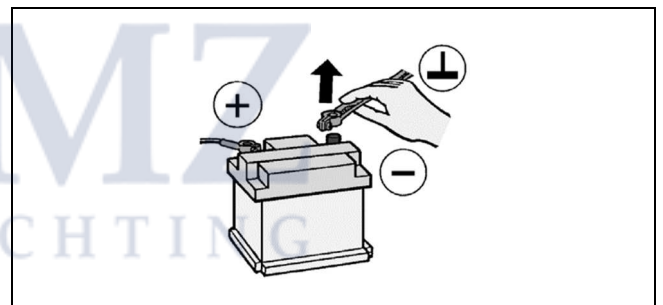
Before beginning, disconnect the negative terminal on the battery, otherwise you risk a short circuit. If the vehicle is supplied by auxiliary batteries, you must also disconnect the negative terminals on these batteries! Short circuits can cause fires, battery explosions and damages to other electronic systems. Please note that when you disconnect the battery, all volatile electronic memories lose their input values and must be reprogrammed.

BEFORE THE ASSEMBLY

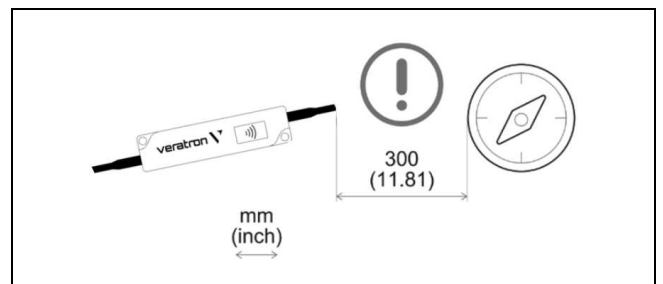
1. Before beginning, turn off the ignition and remove the ignition key. If necessary, remove the main circuit switch.



2. Disconnect the negative terminal on the battery. Make sure the battery cannot restart unintentionally.



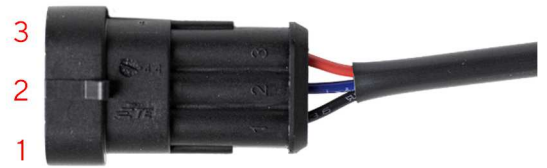
3. Place the device at least 300 mm away from any magnetic compass.



PINOUT

SENSOR SIDE

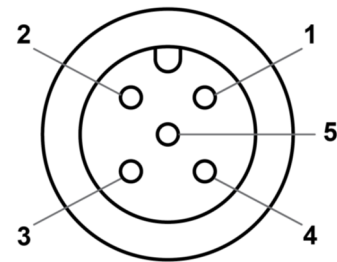
Pin No.	Wire color	Description
1	Black	GND
2	Blue	Signal
3	Red	5V-Supply (max. 15 mA)



AMP Super Seal 3-poles Male

NMEA 2000 SIDE

Pin No.	Description
1	Shield
2	NET-S (V+)
3	NET-C (V-)
4	NET-H (CAN High)
5	NET-L (CAN Low)



Micro-C M12 5 poles plug Male, product side view

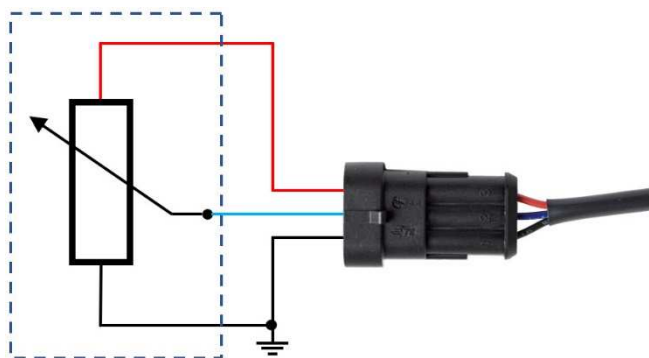
CONNECTING A SENSOR

When possible, use the dedicated sensor plug. If the required sensor does not have the fitting counterpart and it is not possible to attach such a connector, just cut off the LinkUps plug and complete the wiring with the given interface. Refer to the pinout above for that.

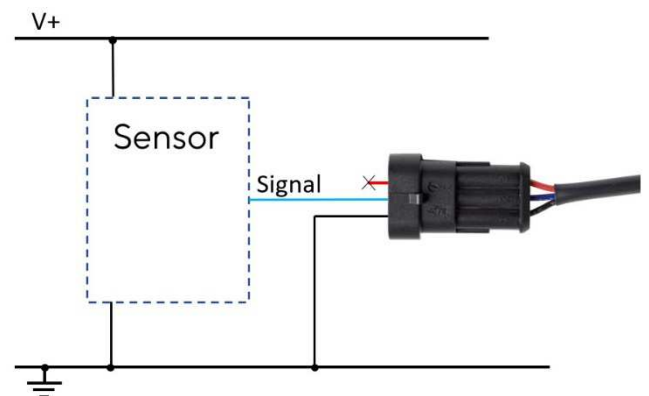
The LinkUp Gateway delivers a 5V-supply voltage that can be used to power an passive sensor. Note that the power output does not deliver more than 15mA of current.

When using an active sensor, make sure it does not provide signals higher than 5V.

Passive Sensor Connection



Active Sensor Connection



CONNECT TO THE NMEA 2000® NETWORK

Once the sensor installation is complete you can interface the LinkUp gateway to the NMEA 2000® backbone through the dedicated plug.

Please ensure to tighten the M12 connector by screwing it onto its counterpart, so to preserve the water tightness.

A drop cable is not needed unless the total length of the LinkUp device is not enough to reach the NMEA 2000® backbone. In this case it is possible to extend the total length by using one of the accessory drop cables.

Please note that NMEA 2000® does not allow drop cables longer than 6 meters.

Refer to the NMEA 2000® standard for a proper network design.

If power from the NMEA 2000® network is received, the green LED on the LinkUp housing will start flashing (see “LED notifications”).



LIST OF SUPPORTED SENSORS

- | | |
|-----------------------|------------------------|
| • Fuel Level | • Boost Pressure |
| • Freshwater Level | • Oil Temperature |
| • Wastewater Level | • Oil Pressure |
| • Trim Level | • Gear Oil Pressure |
| • Rudder Angle | • Gear Oil Temperature |
| • Coolant Temperature | • Trim Tabs |

* The list of supported sensors may be updated at any time. Make sure to always use the latest version of the LinkUp Configurator App.

CONFIGURATION

LINKUP CONFIGURATOR APP

To configure the sensor, some parameters like the sensor type, its calibration or warning thresholds, must be entered into the LinkUp gateway.

This is possible through the “Link Up Configurator” smartphone App, which can be downloaded free of charge from the stores of both Android and iOS devices.

A simple explanation of the configuration process is also available as in-app instructions.

Thanks to the passive embedded NFC receiver, the LinkUp gateway can be configured, as described below, without the need of a power supply.



LINK UP CONFIGURATOR

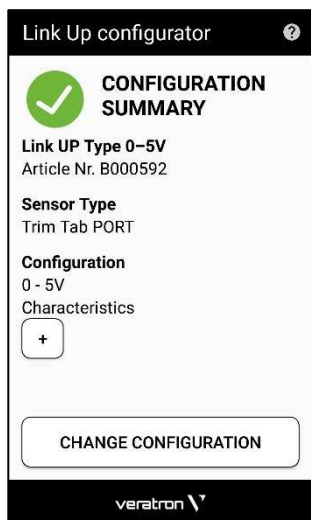


SENSOR CONFIGURATION



1. Launch the “Link Up Configurator” App and read the current configuration of the LinkUp device by “tapping” the smartphone onto the LinkUp wireless area (indicated by the NFC symbol) The readout is necessary before you can write new configurations on the LinkUp.

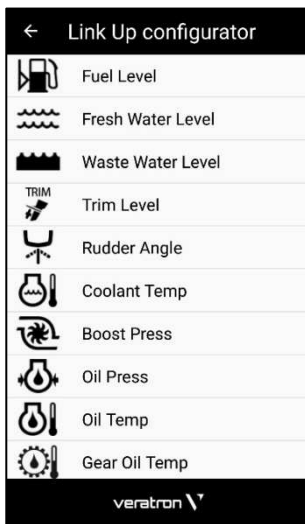
NOTE: The antenna position on the smartphone depends on the model. Please refer to the smartphone manufacturer manual.



2. After the readout, the App will show the “CONFIGURATION SUMMARY”, which displays all the current settings of the device.

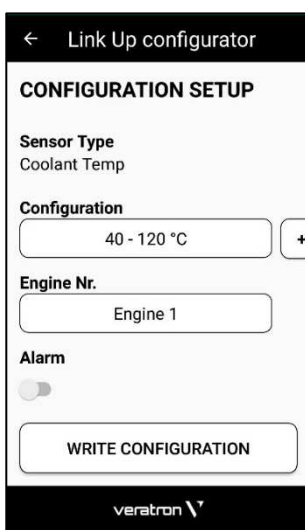
To see the exact sensor curve, that has been programmed on the LinkUp Gateway before, press the button with the plus. This will open a further table.

To modify the configuration, press the “Change Configuration” button.



3. Select the sensor type to be configured among the list shown in the app (e.g. Fuel Level).

See section “Supported Configurations” further below to see all the possible options.



4. Either choose one of the proposed standard sensor curves or define your own characteristic by selecting the option “CUSTOM”.

To see the fixed points of the before defined sensor curve press the little button with the plus.

Define to which engine or tank number the measured values apply, so the data is correctly sent to the NMEA network.

For some sensors (see list below) it is possible to also set up an alarm, with its related threshold.

The field to enter the threshold value appears after enabling the Alarm switch.

Once the settings are completed, press the “Write Configuration” button to prepare the transfer to the gateway device.



5. To upload the configuration, simply “tap” the smartphone again onto the LinkUps wireless area, as described in step 1.

The configuration is instantaneously transferred to the device, and the new “Configuration Summary” is displayed.

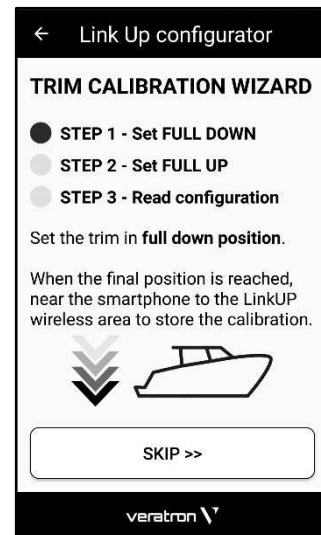
TRIM CONFIGURATION WIZARD

For the sensor types Trim Level and Trim Tabs, there is an additional configuration process.

Instead of selecting a standard curve or defining your own custom values, here you can also use the configuration wizard to directly save the current reading of the sensor.

The LinkUp Gateway must be connected to the trim sensor, when doing this.

- **Read** out the old configuration by holding the mobile device onto the NFC area of the LinkUp Gateway and select the desired sensor type. (Only supported for trim level and trim tabs)
- Press [**CALIBRATE**] instead of selecting a sensor curve.
- Bring the engine in the **full down** position.
- **Connect** the smartphone to the LinkUp to store the current sensor reading as range limit.
- Bring the engine in the **full up** position
- **Connect** again to store the sensor reading for the highest position.
- To see the sensor curve that has been programmed to the LinkUp connect the phone one more time and check the summary.
- The engine **instance** can now also be configured as usual.



It is not necessary to make the measurement for the upper and the lower position. If one of them has already been programmed to the LinkUp before, simply press [SKIP] when being asked to bring the engine in the according position.

SUPPORTED CONFIGURATIONS

Sensor Type	Alarm available	NMEA 2000® PGN
Fuel Level	No	127505
Freshwater Level	No	127505
Wastewater Level	No	127505
Trim Position	No	127488
Rudder Angle	No	127245
Coolant Temperature	Yes	127489
Boost Pressure	Yes	127488
Oil Pressure	Yes	127489
Oil Temperature	Yes	127489
Gear Oil Pressure	Yes	127493
Gear Oil Temperature	Yes	127493
Trim Tabs	No	130576

* The supported configurations may be updated at any time. Please make sure to always use the latest version of the LinkUp Configurator App.

LED NOTIFICATIONS

LED behavior	Description
OFF	Device not powered.
ON	Device configured and in operation.
Slow blink (1Hz)	Device in operation with invalid or empty configuration. Waiting for configuration by the user (factory setting). NMEA 2000® messages are NOT transmitted.
Fast blink (2.5Hz)	Analogue value from the sensor out of range. NMEA 2000® messages are being set as "invalid".
Very fast blink (10Hz)	Device reconfiguration in progress after wireless download.

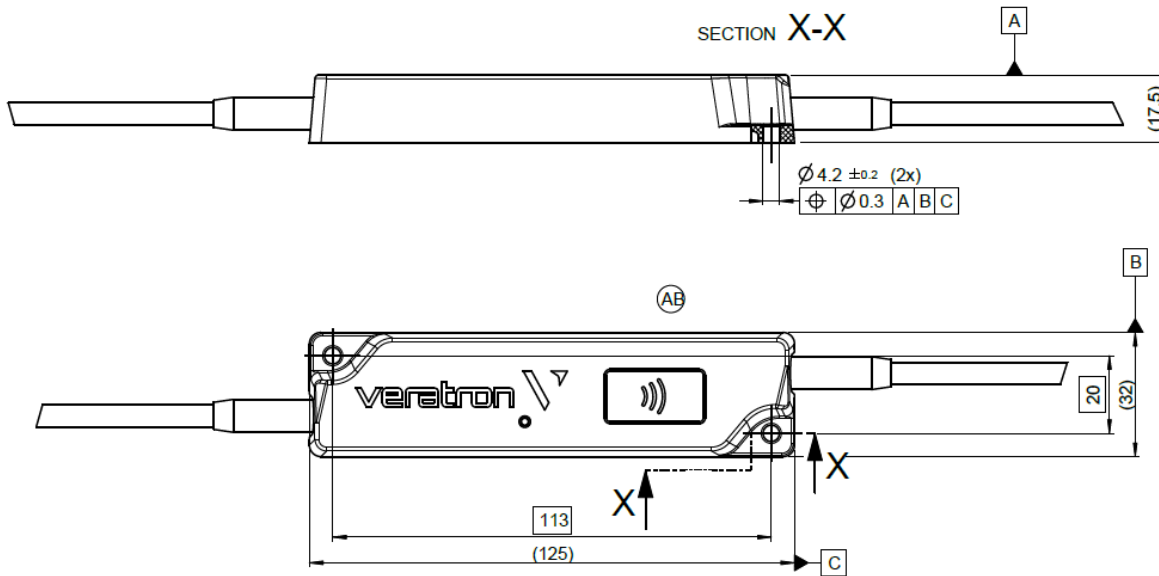


TECHNICAL DATA

DATASHEET

Operating voltage	6 – 16.5 V
Nominal voltage	12 V (from NMEA 2000® network)
Power consumption	≤ 100 mA
NMEA 2000® LEN	2
Measurement range	0 – 5.0 V
Maximum input voltage	6.0 V
Maximum current on 5V output	15 mA
Protection class	IP X9/K (when connected)
Operating temperature	-30°C to 80°C
Flammability	UL94-HB
Sensor cable length	25 cm
NMEA 2000® cable length	25 cm
Sensor plug	TE AMP SuperSeal 1.5 3 pins – Male 282105-1
Sensor plug - counter part	(not included) TE AMP SuperSeal 1.5 3 pins – Female 282087-1
NMEA 2000® plug	DeviceNet Micro-C M12 5 pins – Male

DIMENSIONS



SUPPORTED NMEA 2000® PGNS

Description	PGN
ISO Address Claim	60928
ISO Request	59904
ISO Transport Protocol, Data Transfer	60160
ISO Transport Protocol, Connection Management	60416
ISO Acknowledgment	59392
NMEA - Request group function	126208
Heartbeat	126993
Configuration Information	126998
Product Information	126996
PGN List - Received PGNs group function	126464
Rudder	127245
Fluid Level	127505
Engine Parameters, Rapid Update	127488
Engine Parameters, Dynamic	127489
Transmission Parameters, Dynamic	127493
Trim Tab Status	130576



veratron AG
Industriestrasse 18
9464 Rüthi, Switzerland

T +41 71 7679 111
info@veratron.com
veratron.com

Any distribution, translation, or reproduction, partial or total, of the document is strictly prohibited unless with prior authorization in writing from veratron AG, except for the following actions:

- Printing the document in its original format, totally or partially.
- Copying contents without any modifications and stating Veratron AG as copyright owner.

Veratron AG reserves the right to make modifications or improvements to the relative documentation without notice.

Requests for authorization, additional copies of this manual or technical information on the latter, must be addressed to veratron AG.